



12 kg



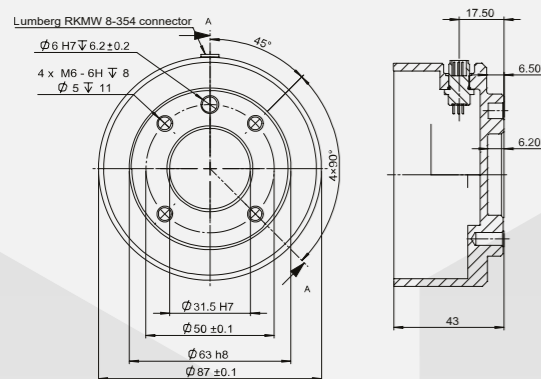
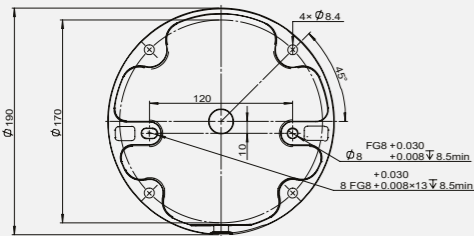
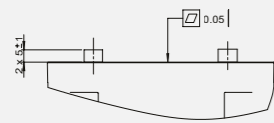
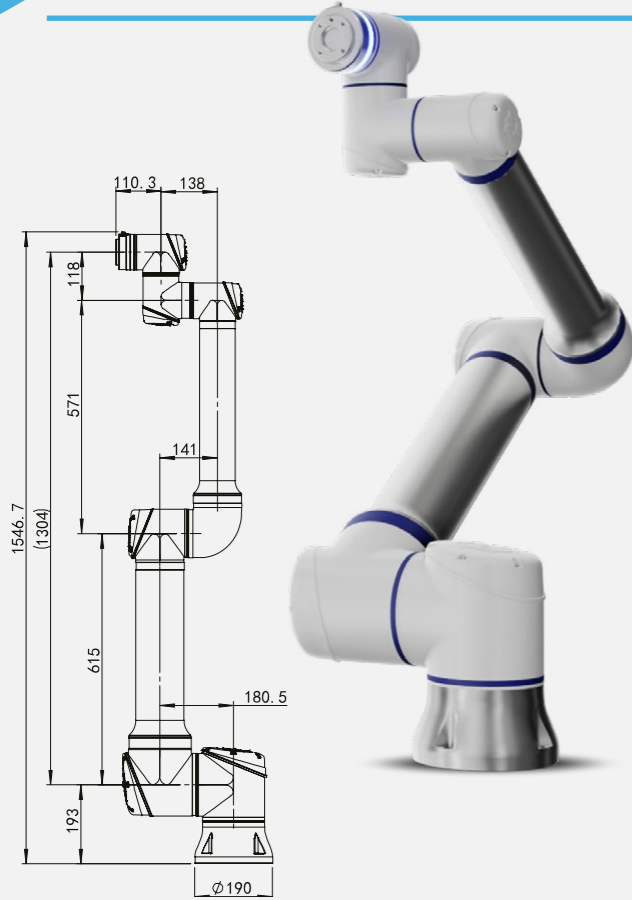
1304 mm



±0.05 mm

CS612

CS SERIES



Robotic Arm

Payload	12kg	
Radius	1304mm	
Accuracy	±0.05mm	
Axis	6	
Joints rotation	J1-J6	±360°
	J1-J2	120°/s
Joints speed	J3	150°/s
	J4-J6	180°/s
Typical TCP Speed	1.5 m/s	
IP rating	IP65 (optional IP68)	
Temperature range	-10~50°C	
Relative humidity	<90% (non-condensing)	
Noise reduction	<70db	
Typical power usage	435w	
Mounting	Any angle	
Tool I/O connector	M8, 8pin	
Tool I/O ports	4 config. DI / DO; 1 AI, 1 AO	
Tool I/O power supply	0 / 12V / 24V; 3A / 2A / 1A	
Tool I/O communication	RS485, Modbus RTU	
Footprint	Ø 190 mm	
Weight	34 kg	
Material	Aluminum, steel, plastic, rubber	
Cable length	5.5m*	
Certifications	ISO 13849, ISO 10218, ISO/TS 15066, ISO 14644 cleanroom class 5, RoHS; SEMI-S2; UL, CE, KCs	
Programming	Python-script, graphical proprietary user interface, free-drag/offline programming	

* Optional cable lengths of 1.5m, 3m and 10m and additional extensions up to 10m are available.



Featuring both a long reach and a high payload, CS612 strikes the perfect balance between flexibility and power, and opens the door to an infinite range of applications, including machine tending, welding and mobility solutions with AGVs.

Standard controller

Type	AC
I/O ports	24 DI, 24 DO (8 safety config. DI/DO); 2 AI, 2 AO; 4 High-Speed DI
I/O power supply	24V/3A (internal), 6A (external)
Communication	RS485, Ethernet TCP/IP, Modbus TCP/RTU, Ethernet/IP slave, Profinet slave
Size	505mm x 257mm 462mm
IP Rating	IP44
Weight	14kg
Power source	100~240 VAC, 50~60 Hz
Temperature range	0~50°C
Relative humidity	5%~95% (non-condensing)
Material	Aluminum, Steel



The standard controller integrates a holder to optionally attach the TP

OEM controller

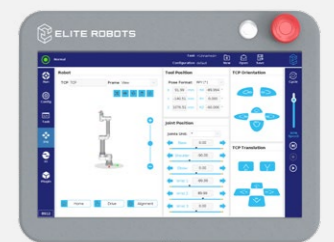
Type	DC / AC
I/O ports	24 DI, 24 DO (8 safety config. DI/DO); 2 AI, 2 AO; 4 High-Speed DI
I/O power supply	24V/3A (internal), 6A (external)
Communication	RS485, Ethernet TCP/IP, Modbus TCP/RTU, Ethernet/IP slave, Profinet slave
Size	495mm x 200mm x 227mm
IP Rating	IP40
Weight	5kg
Power source	19-72VDC / 100-240VAC, 50-60Hz
Temperature range	0~50°C
Relative humidity	5%~95% (non-condensing)
Material	Aluminum, Steel



The optional OEM controller is suitable for integrators, OEM partners and users who want to create their own custom design.

Teach Pendant

	ERP400	ERP400S
Size	301mm x 232mm x 54mm	301mm x 232mm x 105mm
Screen size	12.1"	
Resolution	1280 x 800 pixels	
IP rating	IP54	
Weight	1.7 kg	1.6 kg
Cable length	5.5 m	
Temperature range	0~50°C	
Relative humidity	5%~95% (non-condensing)	
Material	Aluminum, plastic, rubber	
Input method	Capacitive full touch-screen	Capacitive full touch-screen, 3-mode enable key, jogging-keys, function keys



The CS teach pendant contains Elite Robots proprietary software. The optional ERP400S version integrates jogging and function keys and a 3-mode enable key for enhanced safety.